

Drawing Number: CDG-GEN-0511

Current Revision: 5.0

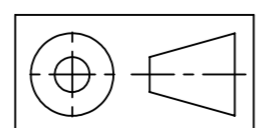
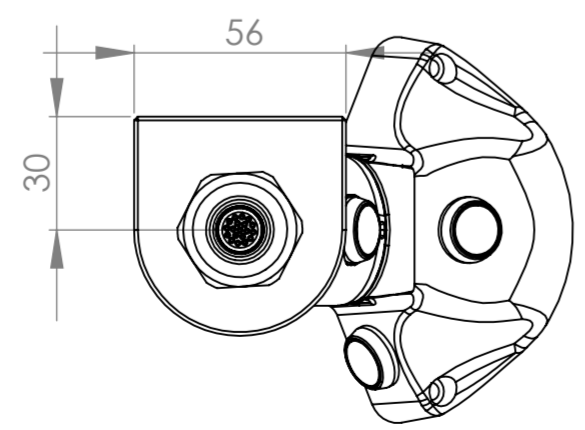
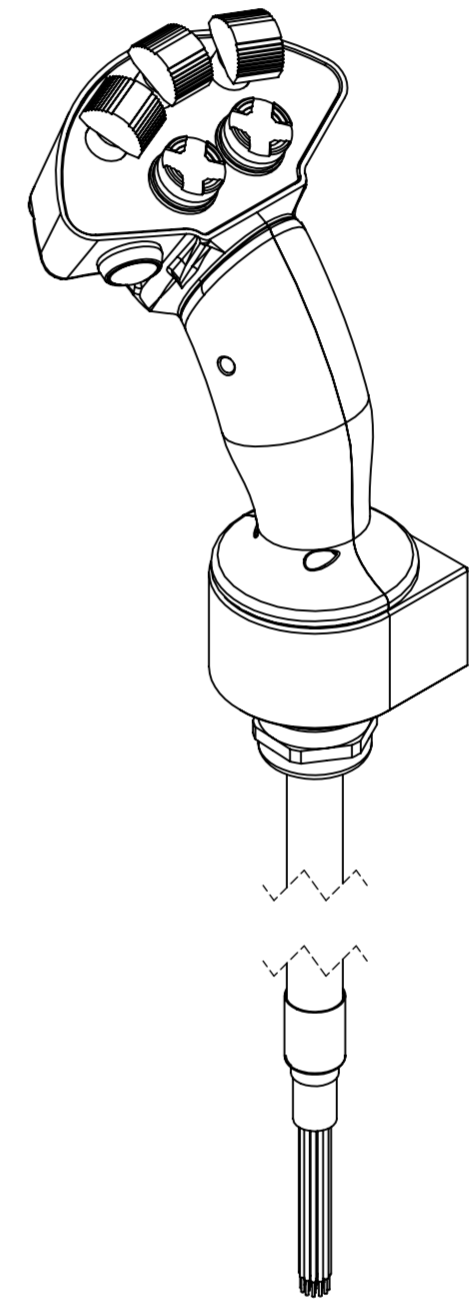
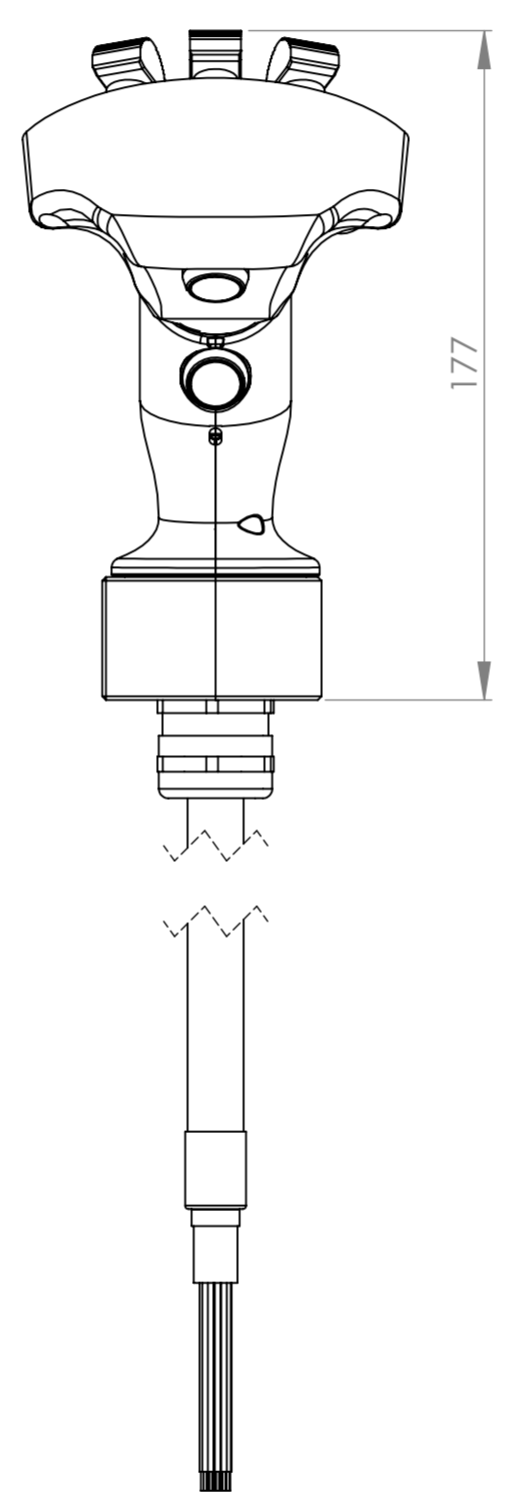
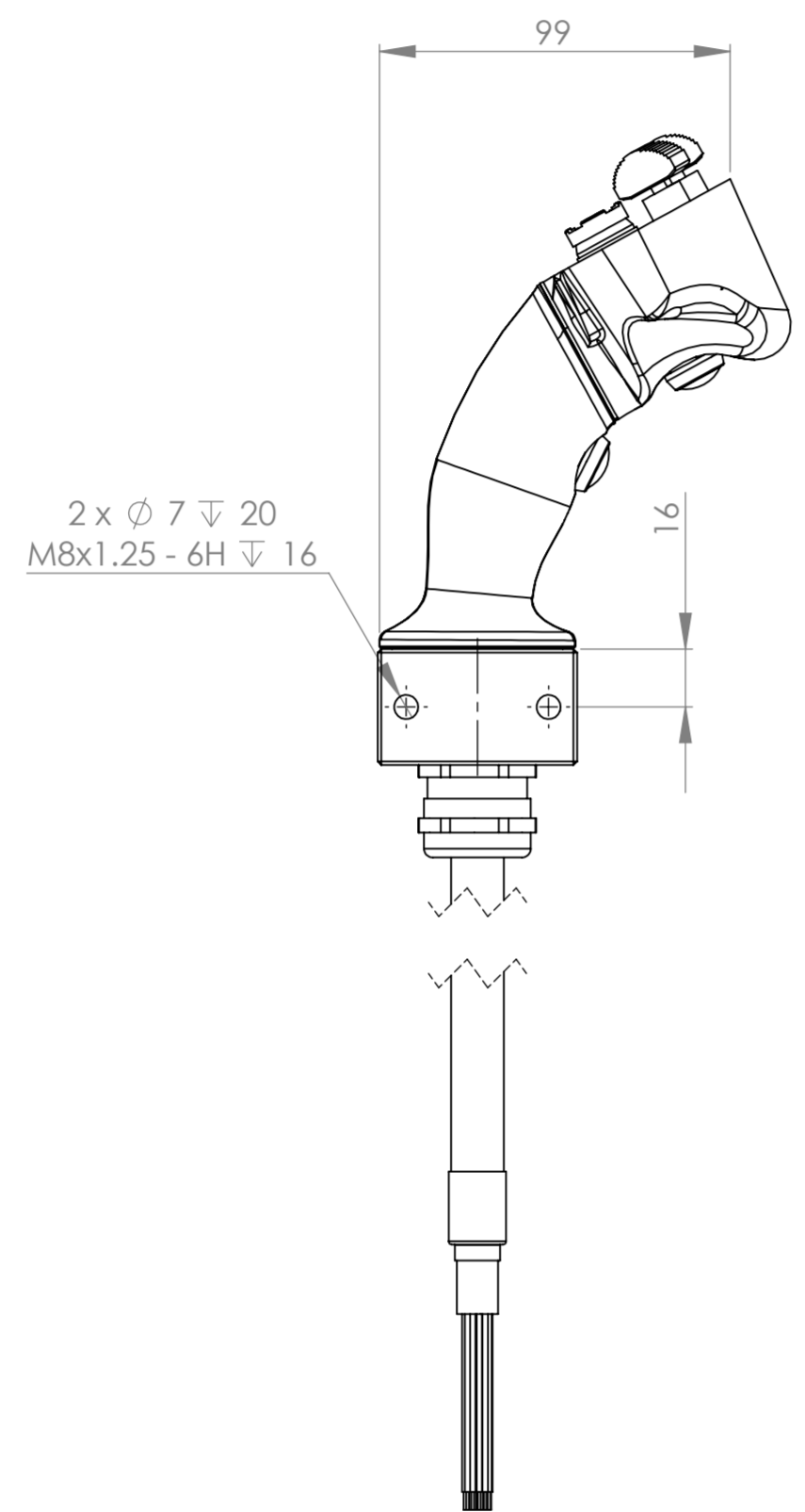
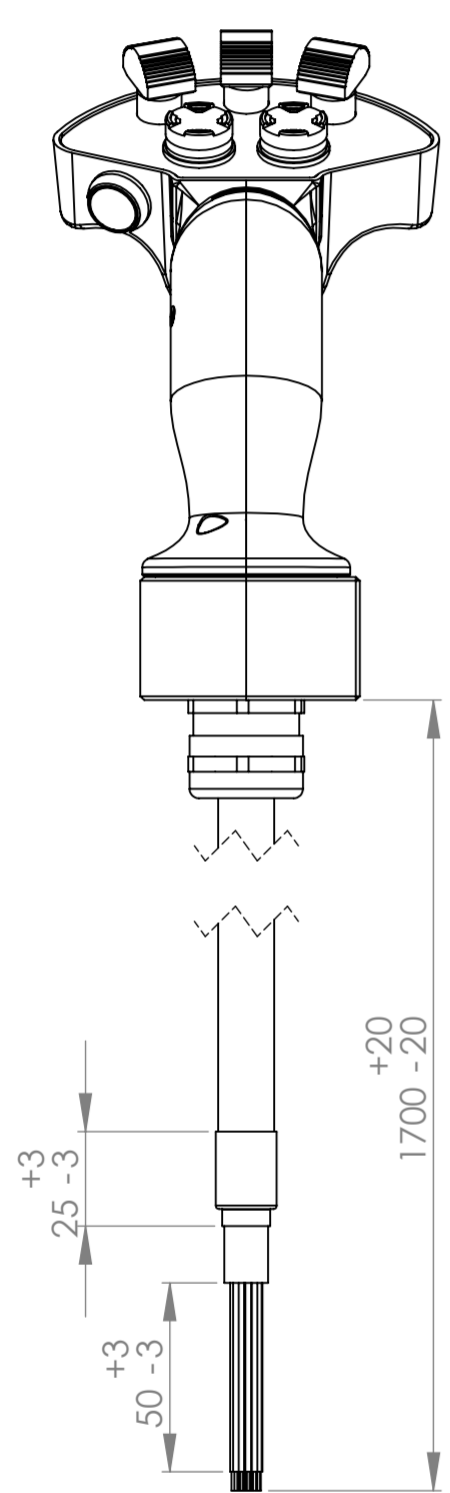
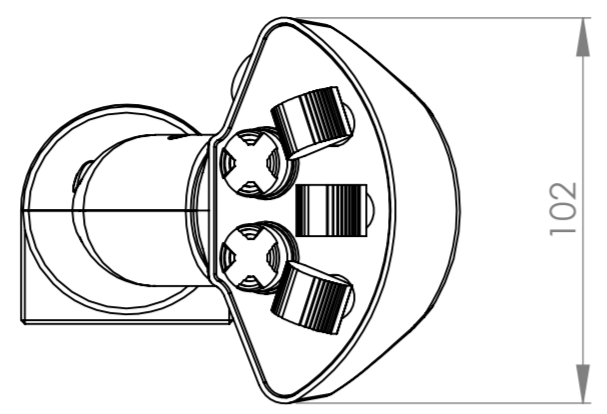
Date: 15/10/2013 5:34:44 PM

RECORD OF ISSUE

REV NO.	CHANGE MADE	PREPARED BY	APPROVED BY	DATE
1.0	<ul style="list-style-type: none">DRAWING CREATED	M DZIDOWSKI	M DZIDOWSKI	13/08/2013
2.0	<ul style="list-style-type: none">MODIFIED BASE MOUNTING BLOCK, REMOVED CONNECTOR REPLACED WITH GLAND	M DZIDOWSKI	M DZIDOWSKI	30/08/2013
3.0	<ul style="list-style-type: none">MODIFIED BASE MOUNTING BLOCK TO FACE THE RIGHT HAND SIDE	M DZIDOWSKI	M DZIDOWSKI	30/08/2013
4.0	<ul style="list-style-type: none">MODIFIED BOM ADDED ELECTRICAL COLOUR TABLE	M DZIDOWSKI	M DZIDOWSKI	26/09/2013
5.0	<ul style="list-style-type: none">MODIFIED CABLE LENGTH FOR MULTICORE AS REQUESTED BY CUSTOMER. CHNAGE FROM 2000mm TO 1700mmADDED ASSEMBLY INSTRUCTIONS TO ADD HEATSHINK OVER LABEL AND UNDER GRIP PLATE.EXCHANGED SWITCH 1 & 3 CABLE DESIGNATION	M DZIDOWSKI	M DZIDOWSKI	15/10/2013

1 2 3 4 5 6 7 8

A B C D E F G H



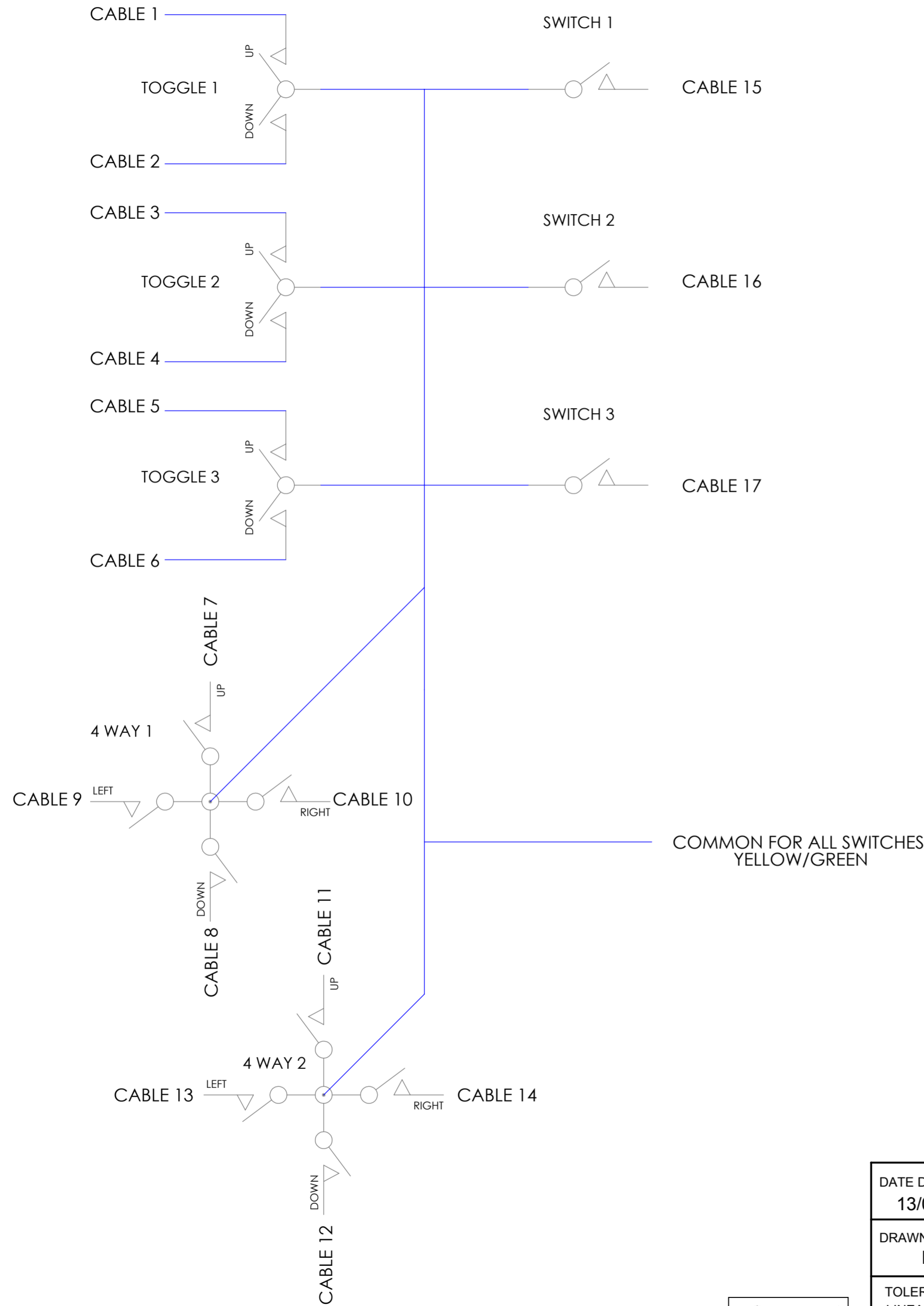
DRAWN TO AS1100 DIMENSIONS ARE IN MILLIMETERS

DATE DRAWN 13/08/2013	DATE MODIFIED 15/10/2013	REVISION NO. 5.0	Control Devices ENGINEERING		Unit 5, 79 Bourke Road Alexandria NSW 2015 AUSTRALIA Phone: +61 2 9330 1700 Fax:+61 2 9338 9001E-mail: sales@controldevices.net	
DRAWN BY M DZIDOWSKI		CHECKED BY J LAI		TITLE CUSTOM HAND CONTROL GRIP (VINETECH) CASTLE HATS		
TOLERANCES LINEAR: ± 1.0mm ANGULAR: ± 1.0 ° OR AS SHOWN		TYPE PROJECTION PRINTED COPIES ARE UNCONTROLLED		CODE INDENT NO. CDG-GEN-0511	DRAWING NO. CDG-GEN-0511	SHEET SIZE A2
SCALE:1:2 OR AS SHOWN				SHEET 2 OF 5	WEIGHT: N/A	DO NOT SCALE

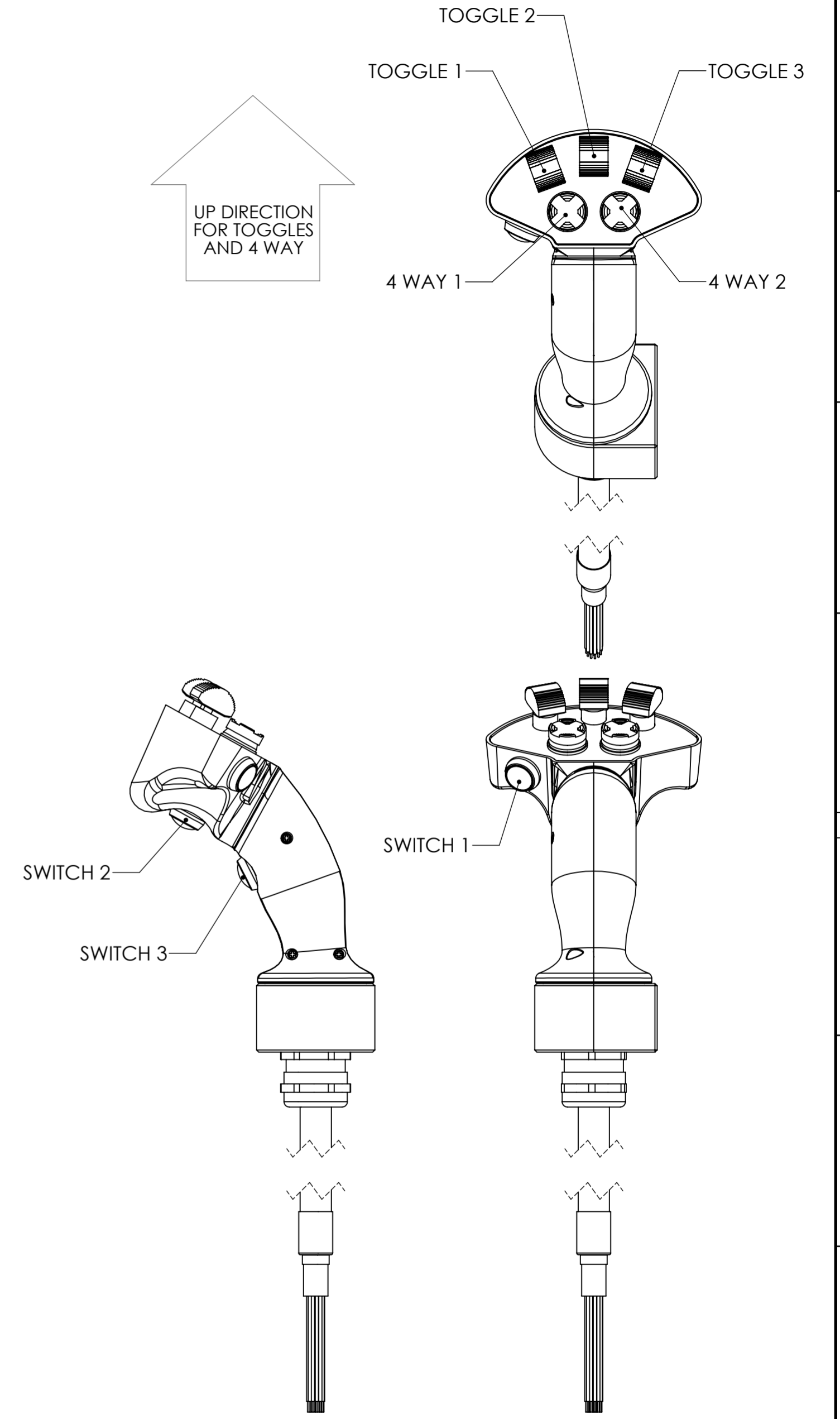
1 2 3 4 5 6 7 8

1 2 3 4 5 6 7 8

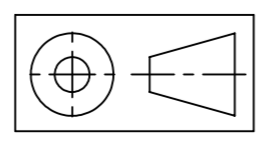
A B C D E F G H



INTERNAL WIRING	
CABLE	COLOUR
1	GREEN
2	ORANGE
3	GRAY
4	BROWN
5	RED
6	YELLOW
7	BLUE
8	VIOLET
9	WHITE
10	BLUE/WHITE
11	GREEN/WHITE
12	BROWN/WHITE
13	ORANGE/WHITE
14	YELLOW/WHITE
15	VIOLET/WHITE
16	RED/WHITE
17	BLACK/WHITE
Green Yellow	BLACK



DRAWN TO AS1100 DIMENSIONS ARE IN MILLIMETERS



DATE DRAWN 13/08/2013	DATE MODIFIED 15/10/2013	REVISION NO. 5.0	Control Devices ENGINEERING		Unit 5, 79 Bourke Road Alexandria NSW 2015 AUSTRALIA Phone: +61 2 9330 1700 Fax: +61 2 9338 9001 E-mail: sales@controldevices.net
DRAWN BY M DZIDOWSKI		CHECKED BY J LAI		TITLE CUSTOM HAND CONTROL GRIP (VINETECH) CASTLE HATS	
TOLERANCES LINEAR: ± 1.0mm ANGULAR: ± 1.0° OR AS SHOWN		TYPE ELECTRICAL PRINTED COPIES ARE UNCONTROLLED		CODE INDENT NO. CDG-GEN-0511	DRAWING NO. CDG-GEN-0511
SCALE: 1:2 OR AS SHOWN		SHEET 3 OF 5	WEIGHT: N/A	DO NOT SCALE	
					SHEET SIZE A2

1 2 3 4 5 6 7 8